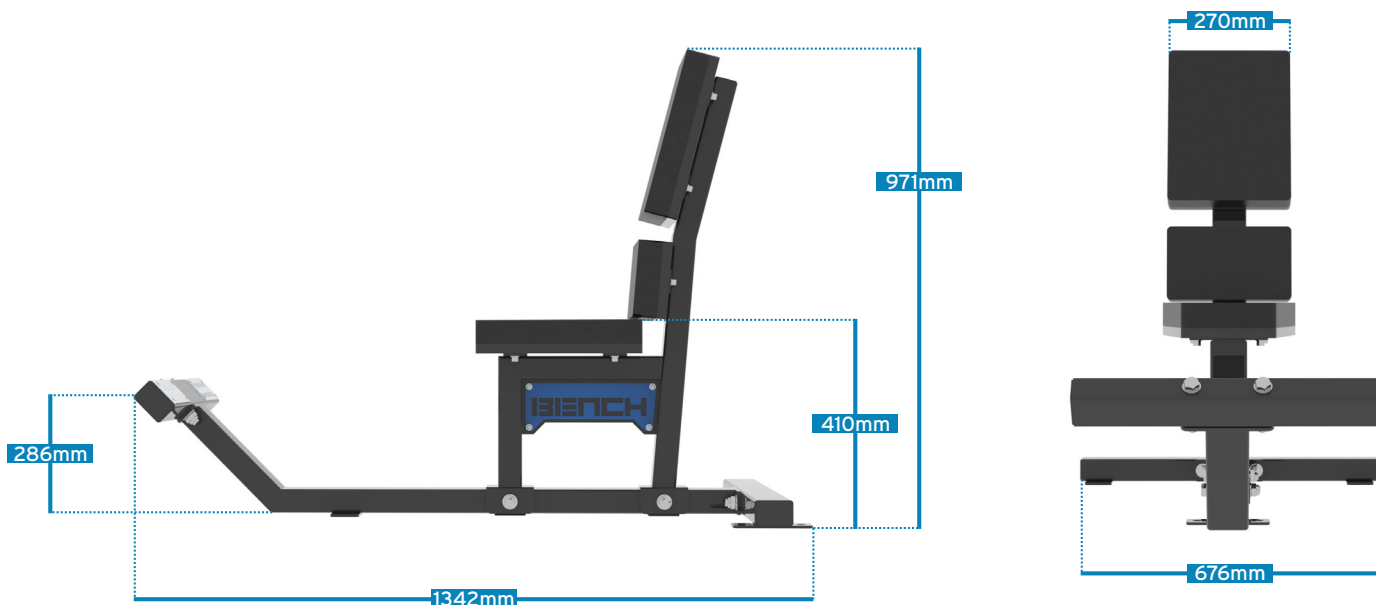
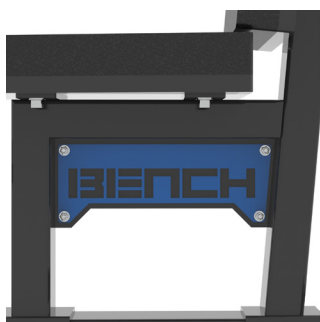


REVOLVE Utility Bench



Description

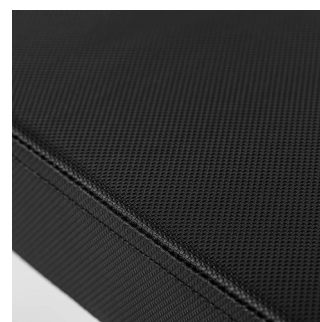
The Bench Fitness Revolve Utility Bench takes the classic Utility Bench to a whole new level. Built using the highest quality materials the Revolve Utility Bench is suitable for every gym from home gym to the most hard core powerlifting gym. The Revolve Utility Bench is fitted with a comfortable non slip padding covered in high quality tear proof leather. The Revolve Utility Bench has a slightly angled back rest with two separate pads to ensure fully back and lumbar support and with an added angled foot rest to ensure safety and stability throughout any movements. The Bench Fitness Revolve range is Built Strong to stand the test of time and fully customizable with a range of colours available.



Custom branding solutions available



Checker plate foot plate



Textured grip material

Features

- Checker plate foot plate
- Custom branding solutions available
- 10 years frame warranty
- 50mm high density foam pad

Specifications

Material:	70mm x 50mm tube
Length:	1370mm
Height:	970mm
Width:	676mm
Weight:	32kg

